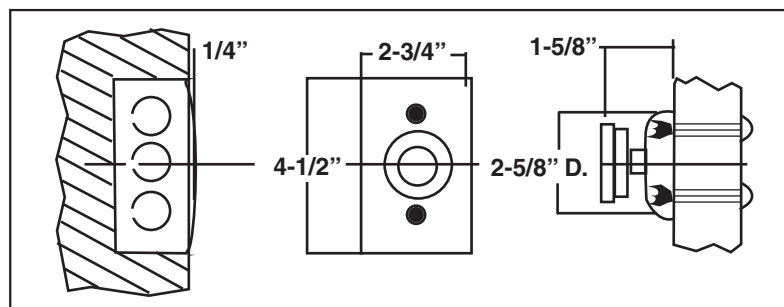


2400 FLUSH WALL MOUNTED



- 30-45 pound holding power
- Underwriters US and Canada Listed
California State Fire Marshal Listed
New York City MEA
ANSI/BHMA 156.15
- Most models available in US28, sprayed finishes and US32D
- Easy wire installation with quick insert connector



BHMA
C00011